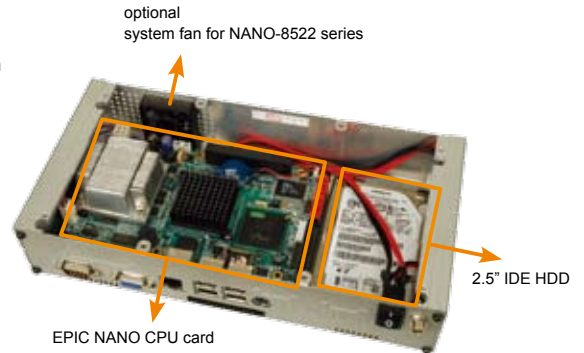
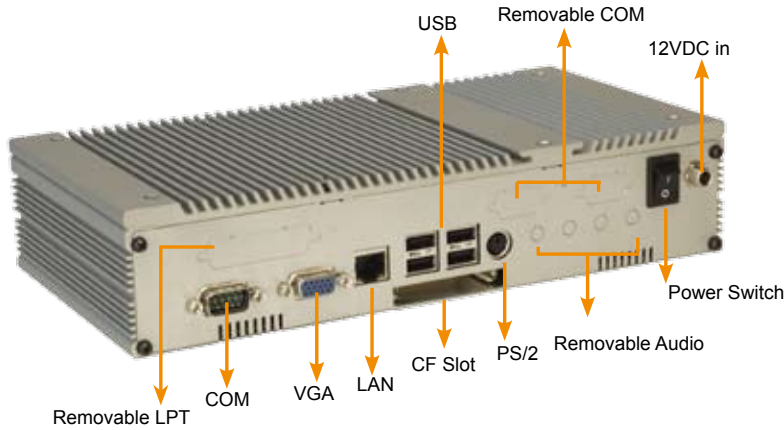


EBC-2100

Embedded Chassis for EPIC NANO Series

Support EPIC NANO model

- NANO-7240 series
- NANO-8522 series
- NANO-GX
- NANO-LX



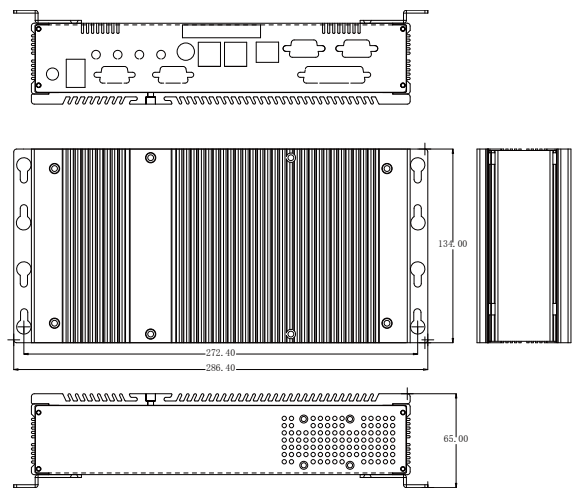
Support EPIC NANO model

NANO-7240-RS	NANO-8522G	NANO-8522E-800Z	NANO-GX	NANO-LX
ULV Intel® Celeron® 400 MHz	Socket 479 base Intel®Pentium M/ Celeron® M CPU	ULV Intel® Celeron® M 1G or 800 MHz CPU without L2 cache	AMD® GX466 333 MHz	AMD® LX800 500 MHz

Specifications

I/O	Standard I/O	COM x 1, VGA x 1, LAN x 1, CF x 1, PS/2 x 1, USB x 4
	Expansion I/O	COM x 2 Audio x 1 (line-in, Line-out, Mic-in, spk-out) LPT x 1
Internal Drive Bay		1 x 2.5" HDD bay
Expansion slot		Internal space for PC/104 or PC/104-Plus module
Color		Pantone Gray 7C
Material		Aluminum / SECC
Operation Temperature		0°C~50°C
Operation Humidity		10% to 90%
Weight (Net/ Gross)		1 kg / 3 kg
Dimension (DxWxH)		134 mm x 262 mm x 56 mm

Dimensions (Unit:mm)



Ordering Information

Part No.	Description
EBC-2100-R20	Embedded chassis for NANO-7240-RS, RoHS
EBC-2100-R21	Embedded chassis for NANO-8522G/8522E/GX/LX, RoHS
34000-000101-RS	Optional socket type CPU heatsink module
19100-000027-RS	Optional 40mm, +12V ball bearing cooling fan
32200-000037-RS	44-pin IDE cable for 2.5" hard drive

- 1 Application Server Platform
- 2 Single Board Computer
- 3 IBX Series POS PC
- 4 AFOLUX POS Panel PC
- 5 Video Capture Card
- 6 KAMIO RISC
- 7 IOVU Open HMI
- 8 VITO versal troller
- 9 DINO BLADE
- 10 LCD Product Series
- 11 Embedded System
- 12 Industrial Computer Chassis
- 13 Power Supply
- 14 Peripherals