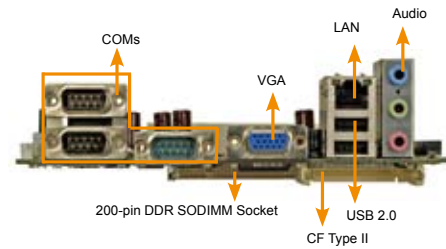
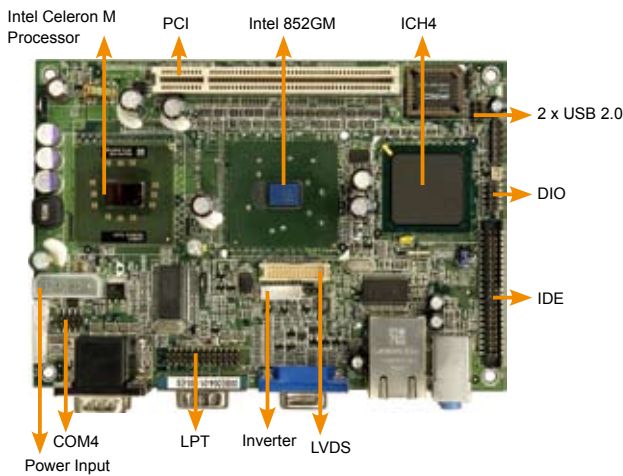


# Enano-8523

ULV Intel® Celeron® M 1GHz Zero Cache with COM Ports, USB 2.0



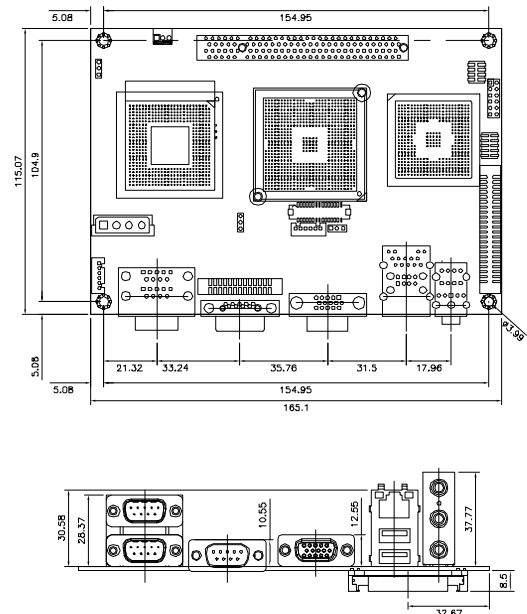
## Specifications

- ◆ CPU  
Socket 479 Intel® Pentium® M, Celeron® M processor with a 533/400MHz FSB  
On board Intel® Celeron® M 600MHz 512KB or 1GHz zero cache processor
- ◆ System Chipsets  
Intel® 852GM + ICH4
- ◆ BIOS  
AMI BIOS
- ◆ System Memory  
One 200-pin 266/200MHz DDR SDRAM SO-DIMM supported (system max. 1GB)
- ◆ Ethernet  
10/100Mbps Intel® 82562ET Ethernet chipset
- ◆ I/O Interface  
4 x USB 2.0  
1 x LPT  
1 x CF Type II  
4 x RS-232  
1 x PS/2 for KB/MS  
1 x IDE
- ◆ Expansions  
1 x PCI
- ◆ Super I/O  
ITE IT8712F
- ◆ Audio  
AC'97 Codec Realtek ALC655
- ◆ Display Interface  
VGA integrated in Intel® 852GM  
18-bit LCD dual-channel integrated in Intel® 852GM  
Support independent dual display
- ◆ Watchdog Timer  
Software programmable supports 1-255 sec. system reset
- ◆ Power Supply  
ATX power only
- ◆ Power Consumption  
5V@3.66A  
(ULV Intel® Celeron® M 600MHz 512KB Cache with DDR266MHz, 256MB RAM)
- ◆ Temperature  
Operating: 0°C ~ 60°C (32 ~ 140° F)
- ◆ Humidity  
Operating: 5% ~ 95%, non-condensing
- ◆ Dimensions  
115 mm x 165 mm
- ◆ Weight: GW: 1100 g;+ NW: 950 g

## Packing List

- 1 x Enano-8523 Single Board Computer
- 1 x KB/MS Y Cable (P/N: 32000-023800-RS)
- 1 x IDE Flat Cable 44p/44p (P/N: 32200-000009-RS)
- 1 x Mini Jumper Pack
- 1 x Utility CD
- 1 x QIG (Quick Installation Guide)

## Dimensions (mm)



## Ordering Information

Part No.	Description
Enano-8523-1GZ-R10	EPIC SBC with ULV Intel® Celeron® M 1GHz Zero Cache CPU, VGA/LVDS, LAN, USB 2.0, Audio and COM
Enano-8523-600-R10	EPIC SBC with Intel® Celeron® M 600MHz 512K Cache CPU, VGA/LVDS, LAN, USB 2.0, Audio and COM.
32000-070300-RS	USB cable
32200-015100-RS	LPT Cable
32100-052100-RS	ATX Power Cable
32200-000049-RS	RS-232 Cable

1  
Application  
Server  
Platform

2  
Single  
Board  
Computer

3  
IBX Series  
POS PC

4  
AFOLUX  
POS  
Panel PC

5  
Video  
Capture  
Card

6  
KAMIO  
RISC

7  
IOVU  
Open HMI

8  
VITO  
Universal  
Controller

9  
DINO  
BLADE

10  
LCD  
Product  
Series

11  
Embedded  
System

12  
Industrial  
Computer  
Chassis

13  
Power  
Supply

14  
Peripherals