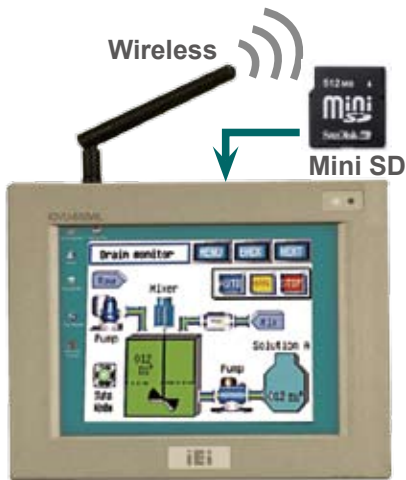


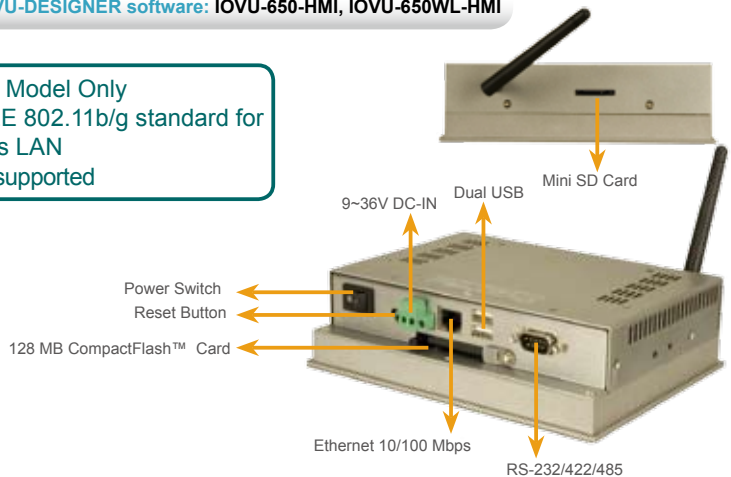
IOVU-650 / 650WL

6.5" TFT, VGA, 16-bit Color, Touch Screen Panel PC and Open HMI with additional Mini SD card Reader and Wireless LAN



As a Panel PC only: IOVU-650, IOVU-650WL
With additional IOVU-DESIGNER software: IOVU-650-HMI, IOVU-650WL-HMI

IOVU-650WL Model Only
Wireless: IEEE 802.11b/g standard for 2.4 G wireless LAN
Mini SD card supported



Specifications

System

- 520 MHz XScale® PXA270 processor
- 2 MB boot flash
- 128 MB SDRAM
- 128 MB CompactFlash™
- Battery-backup RTC
- Watchdog Timer
- Reset button

Display

- Type: Color Active Mtrix TFT
- Size: 6.5"
- Resolution: 640 x 480, 262K color graphics
- Brightness: 500 cd/m²
- Input: 4-wired resistive touch screen

I/O and Communication

- Ethernet: one 10/100 Mbps
- Serial Port: one RS-232/422/485
- USB: two USB Host 2.0 ports
- Wireless: IEEE 802.11b/g standard for 2.4G wireless LAN (IOVU-650WL)
- SD Reader: Mini SD card reader module (IOVU-650WL)

Power

- Power requirement: 9~36V DC-IN
- Power consumption: 14W

Environmental

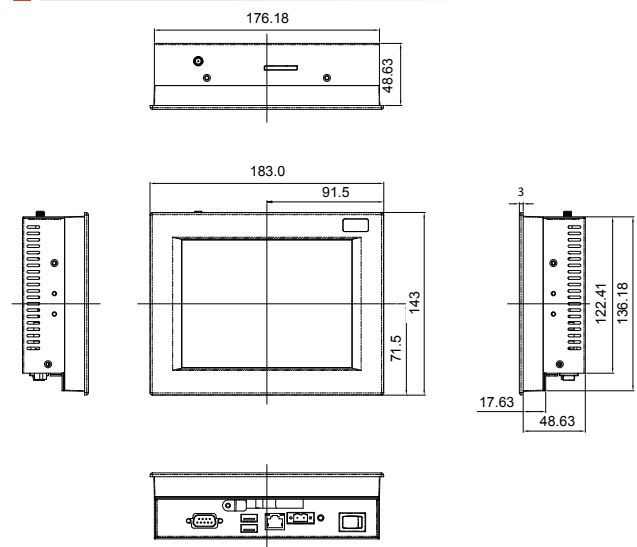
- Operating Temperature: 0°C~50°C
- Humidity: 5%-90%RH (no-condensing)
- Vibration and shock follow MIL-STD-810F 514.5C-3
 1. Axes: 3 axes (Vertical / Transverse / Longitudinal)
 2. 10-500Hz, 60min/axis
 3. Equivalent to Z: 2.18Grms, X: 1.6Grms, Y: 1.96Grms
- IP 65 compliant front panel

Color

- Aluminum front, silver color



Dimensions (Unit: mm)



Packing List

- 1 x IOVU-650 / 650WL / 650-HMI / 650WL-HMI
- 1 x Utility CD includes SDK, utilities, and technical documentation
- 1 x Null modem cable
- 1 x Touch pen
- 1 x Screw kit
- 1 x 100 mm 2dBi Antenna (IOVU-650WL)

Ordering Information

Part No.	Description
IOVU-650-R10	6.5" TFT, VGA, 262K color, touch Panel PC with built-in Windows® CE 5.0 license
IOVU-650-HMI-R10	6.5" TFT, VGA, 262K color, touch Open HMI with built-in Windows® CE 5.0 license and IOVU-DESIGNER-R10 HMI software
IOVU-650WL-R10	6.5" TFT, VGA, 262K color, touch Panel PC with Wireless LAN, Mini SD module and built-in Windows® CE 5.0 license
IOVU-650WL-HMI-R10	6.5" TFT, VGA, 262K color, touch Open HMI with Wireless LAN, Mini SD module and built-in Windows® CE 5.0 license and IOVU-DESIGNER-R10 HMI software

Options

Part NO.	Description	Part NO.	Description
AFLWK-19	100 mm x 100 mm wall mount kit	DK-100MS-R10	100 mm x 100 mm DIN mount kit
ARM-31-RS	100 mm x 100 mm monitor arm kit	63000-UP0451E24P56L-RS	24 VDC 45 W power adapter with bare wire; 90~264 VAC input
STAND-100-RS	LCD monitor stand kit		