

IOVU-700

7" TFT, WVGA, 16-bit Color, Touch Screen Panel PC and Open HMI with additional 4 x RS-232/422/485



As a Panel PC only: **IOVU-700**

With additional IOVU-DESIGNER software: **IOVU-700-HMI**

Wide Temperature
-10°C~60°C

IOVU-700



Specifications

System

- 520 MHz XScale® PXA270
- 2 MB boot flash
- 128 MB SDRAM
- 128 MB CompactFlash™
- Battery-backup RTC
- Watchdog Timer
- Reset button

Display

- Type: Color Active Mtrix TFT
- Size: 7"
- Resolution: 800 x 480, 262K color graphics
- Brightness: 350 cd/m²
- Input: 4-wired resistive touch screen

I/O and Communication

- Ethernet: one 10/100 Mbps
- Serial Port: one RS-232 and four RS-232/422/485 (RJ-45)
- USB: two USB Host 2.0 ports
- Audio: one Line-out

Power

- Power requirement: 9~36V DC-IN
- Power consumption: 13W

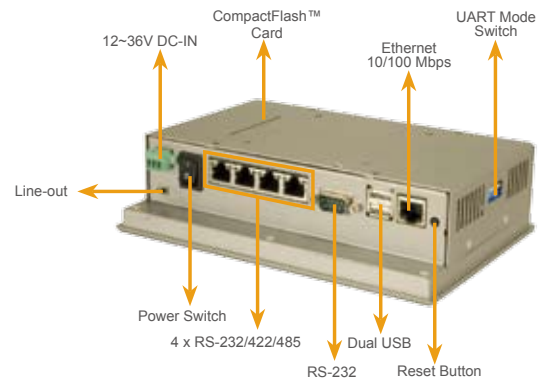
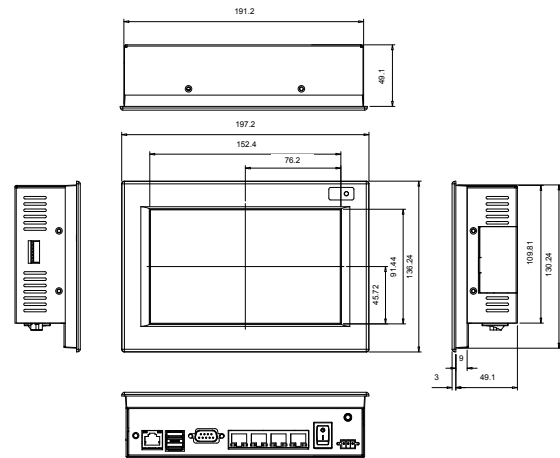
Environmental

- Operating Temperature: -10°C~60°C
- Humidity: 5%-90%RH (no-condensing)
- Vibration and shock follow MIL-STD-810F 514.5C-3
 1. Axes: 3 axes (Vertical / Transverse / Longitudinal)
 2. 10-500Hz, 60min/axis
 3. Equivalent to Z: 2.18Grms, X: 1.6Grms, Y: 1.96Grms
- IP 65 compliant front panel

Color

- Aluminum front, silver color

Dimensions (Unit: mm)



Packing List

- 1 x IOVU-700 / 700-HMI
- 1 x Utility CD includes SDK, utilities, and technical documentation
- 1 x Null modem cable
- 1 x Touch pen
- 1 x Screw kit
- 1 x RJ-45 to RS-232 cable

Ordering Information

Part No.	Description
IOVU-700-R20	Wide temperature 7" TFT, WVGA, 262K color, touch Panel PC with built-in Windows® CE 5.0 license
IOVU-700-HMI-R20	Wide temperature 7" TFT, WVGA, 262K color, touch Open HMI with built-in Windows® CE 5.0 license and IOVU-DESIGNER-R10 HMI software

Options

Part NO.	Description	Part NO.	Description
AFLWK-12	75 mm x 75 mm wall mount kit	DK-075MS-R10	75 mm x 75 mm Din mount kit
ARM-11-RS	75 mm x 75 mm monitor arm kit	63000-UP0451E24P56L-RS	24 VDC 45 W power adapter with bare wire; 90~264VAC input
STAND-100-RS	LCD monitor stand kit		