

IOVU-842 / 840 *8.4" TFT, SVGA, 16-bit Color, Touch Screen Panel PC and Open HMI*

As a Panel PC only: IOVU-842, IOVU-840

With additional IOVU-DESIGNER software: IOVU-842-HMI, IOVU-840-HMI



IOVU-842



IOVU-840

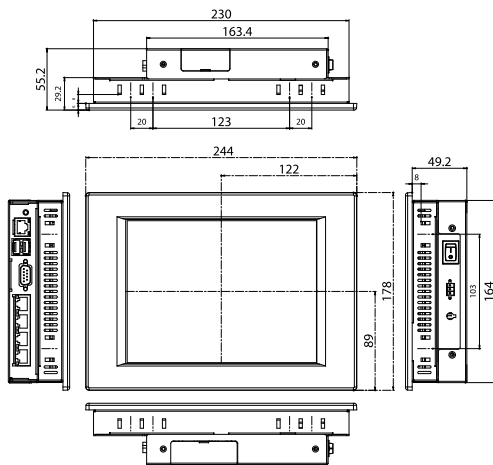
Specifications



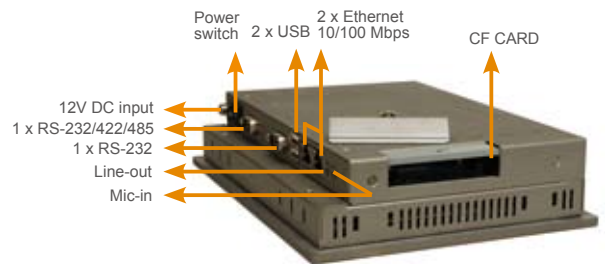
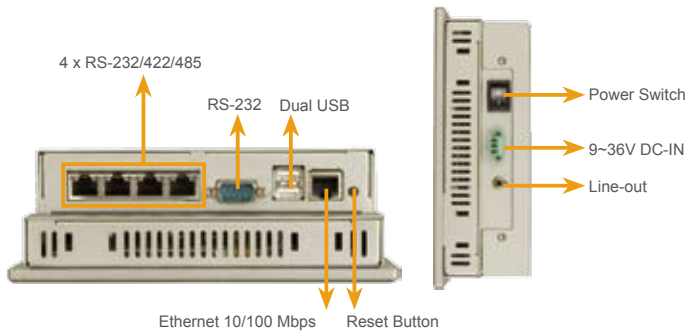
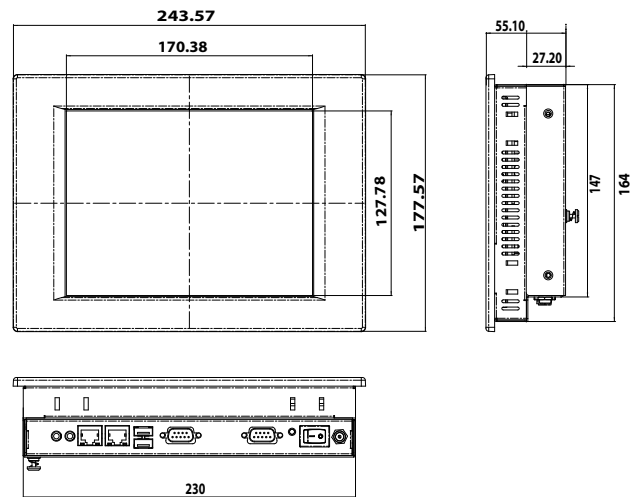
Model Name	IOVU-842	IOVU-840
Operating System	Windows® CE 5.0	
System	<ul style="list-style-type: none"> • 520 MHz XScale® PXA270 processor • 2 MB boot flash • 128 MB SDRAM • 128 MB CompactFlash™ • Battery-backup RTC • Watchdog Timer • Reset button 	
Display	<ul style="list-style-type: none"> • Type : Color Active Matrix TFT • Size : 8.4" • Resolution : 800 x 600, 262K color graphics • Brightness : 450 nits • Input : 4-wired resistive touch panel 	
I/O and Communication	<ul style="list-style-type: none"> • Ethernet : one 10/100 Mbps • Serial port : one RS-232, four RS232/422/485 • USB : two USB Host 2.0 • Audio : one Line-out 	<ul style="list-style-type: none"> • Ethernet : two 10/100 Mbps • Serial port : one RS-232, one RS232/422/485 • USB : two USB Host 1.1 • Audio : one Mic-in and one Line-out
Power	<ul style="list-style-type: none"> • Power requirement : 9~36V DC-IN • Power Consumption : 12W 	<ul style="list-style-type: none"> • Power requirement : 12V DC (12V, 25W AC power adapter) • Power Consumption : 13W
Environmental	<ul style="list-style-type: none"> • Operating Temperature : 0°C~50°C • Humidity : 5%-90%RH (no-condensing) • Vibration & Shock : follow MIL-STD-810F 514.5C-3 <ol style="list-style-type: none"> 1. Axes : 3 axes (Vertical / Transverse / Longitudinal) 2. 10-500Hz, 60min/axis 3. Equivalent to Z: 2.18 Grms, X: 1.6 Grms, Y: 1.96 Grms • Front panel : IP 65 compliant 	
Color	Aluminum front, silver color	

Dimensions (Unit:mm)

IOVU-842



IOVU-840



Packing List

IOVU-842	IOVU-840
1 x IOVU-842 / 842-HMI	1 x IOVU-840 / 840-HMI
1 x Utility CD includes SDK, utilities, and technical documentation	1 x Utility CD includes SDK, utilities, and technical documentation
1 x Null modem cable	1 x Power cable
1 x Touch pen	1 x Null modem cable
1 x Screw kit	1 x Touch pen
1 x RJ-45 to RS-232 cable	1 x Screw kit
	1 X 12V, 25W AC power adapter

Ordering Information

Part No.	Description
IOVU-840-R12	8.4" TFT, SVGA, 262K color, touch Panel PC with built-in Windows® CE 5.0 license
IOVU-840-HMI-R12	8.4" TFT, SVGA, 262K color, touch Open HMI with built-in Windows® CE 5.0 license and IOVU-DESIGNER-R10 HMI software
IOVU-842-R10	8.4" TFT, SVGA, 262K color, touch Panel PC with five serial ports and built-in Windows® CE 5.0 license
IOVU-842-HMI-R10	8.4" TFT, SVGA, 262K color, touch Open HMI with five serial ports and built-in Windows® CE 5.0 license and IOVU-DESIGNER-R10 HMI software

Options

IOVU-842		IOVU-840	
Part NO.	Description	Part NO.	Description
AFLWK-19	100 mm x 100 mm wall mount kit	AFLWK-19	100 mm x 100 mm wall mount kit
ARM-31-RS	100 mm x 100 mm monitor arm kit	ARM-31-RS	100 mm x 100 mm monitor arm kit
STAND-100-RS	LCD monitor stand kit	STAND-100-RS	LCD monitor stand kit
DK-100MS-R10	100 mm x 100 mm DIN mount kit	DK-100MS-R10	100 mm x 100 mm DIN mount kit
63000-UP0451E24P56L-RS	24 VDC 45 W power adapter with bare wire; 90~264 VAC input		