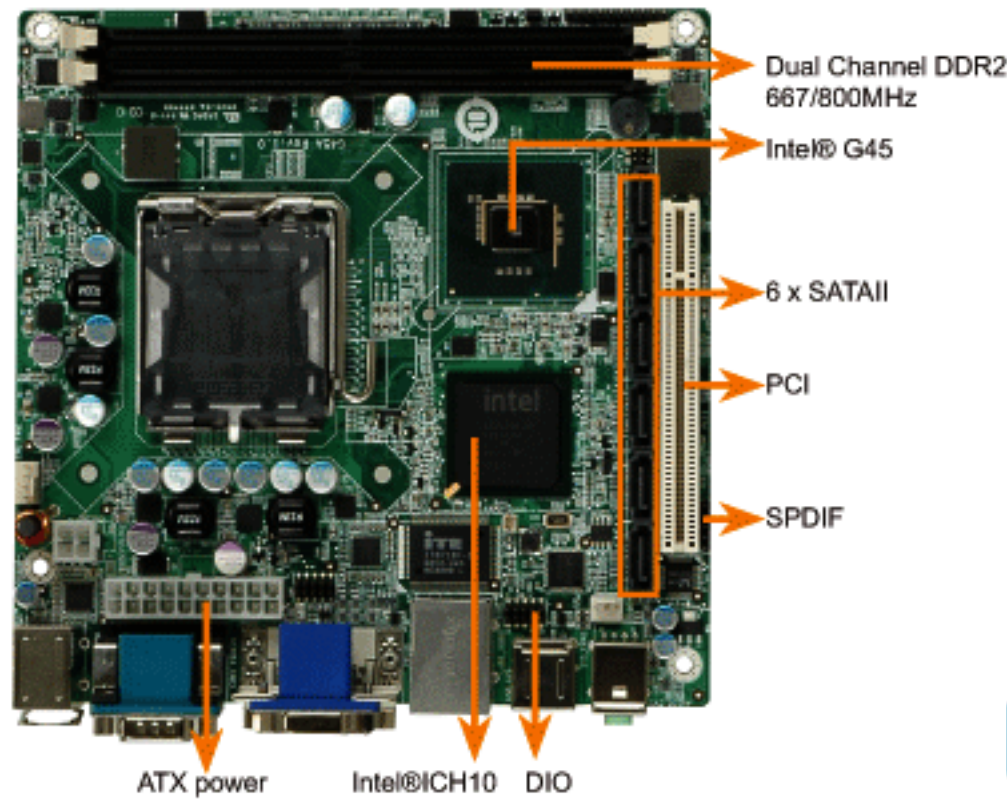


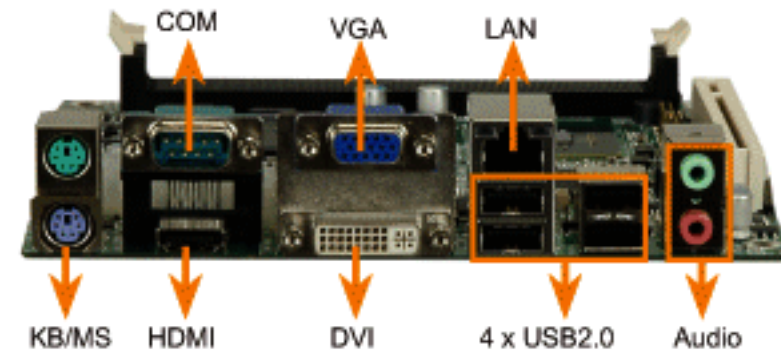
KINO-G45A

Mini-ITX SBC with Socket LGA775 for Intel® 45nm Core™ 2 Duo/Quad CPU with FSB 1333MHz, VGA/DVI/HDMI, PCIe GbE, USB2.0, SATAII and Audio



45nm Core™ 2
Quad CPU and HDMI
support

NEW



Specifications

- ◆ CPU
Supports Intel® Core™2 Duo/Quad/Extreme processor with FSB 800/1066/1333MHz
- ◆ System Chipset
Intel® G45+ ICH10
- ◆ BIOS
AMI BIOS
- ◆ Memory
Two 240-pin 667/800 DDR2 dual-channel SDRAM DIMMs supported (system max. 4GB)
- ◆ Ethernet
Realtek RTL8111CP PCIe GbE Controller
- ◆ I/O Interface
6 x USB2.0
6 x SATAII
1 x PS2 for KB/MS
1 x RS-232
- ◆ Graphic
Intel® GMA X4500HD for DX10 and OpenGL 2.0 support
- ◆ Display Output
VGA integrated in the Intel® G45 support up to QXGA
Support HDMI integrated in the Intel® G45
DVI-D output support
- ◆ Expansion
1 x PCI
- ◆ SPDIF
1 x 5pin header
- ◆ Digital I/O
8-bit digital I/O, 4-bit input/ 4-bit output
- ◆ Super I/O
ITE IT8718F
- ◆ Audio
Realtek ALC888 HD codec
- ◆ FAN
1 x CPU FAN
1 x System FAN
- ◆ Watchdog Timer
Software Programmable support 1~255 sec. System reset
- ◆ Power Supply
ATX power
- ◆ Power Consumption
5V@6.99A, 12V@3.54A, 3.3V@0.38A, 5VSB@0.07A
(3.16GHz Intel® Core™2 Duo E8500 with 2GB*2 DDRII 800MHz)
- ◆ Temperature
Operation: 0°C ~ 60°C (32°F ~ 140°F)
- ◆ Humidity
Operation: 5% ~95% non-condensing
- ◆ Dimensions
170 mm x 170 mm
- ◆ Weight:
GW: 1000 g / NW: 390 g

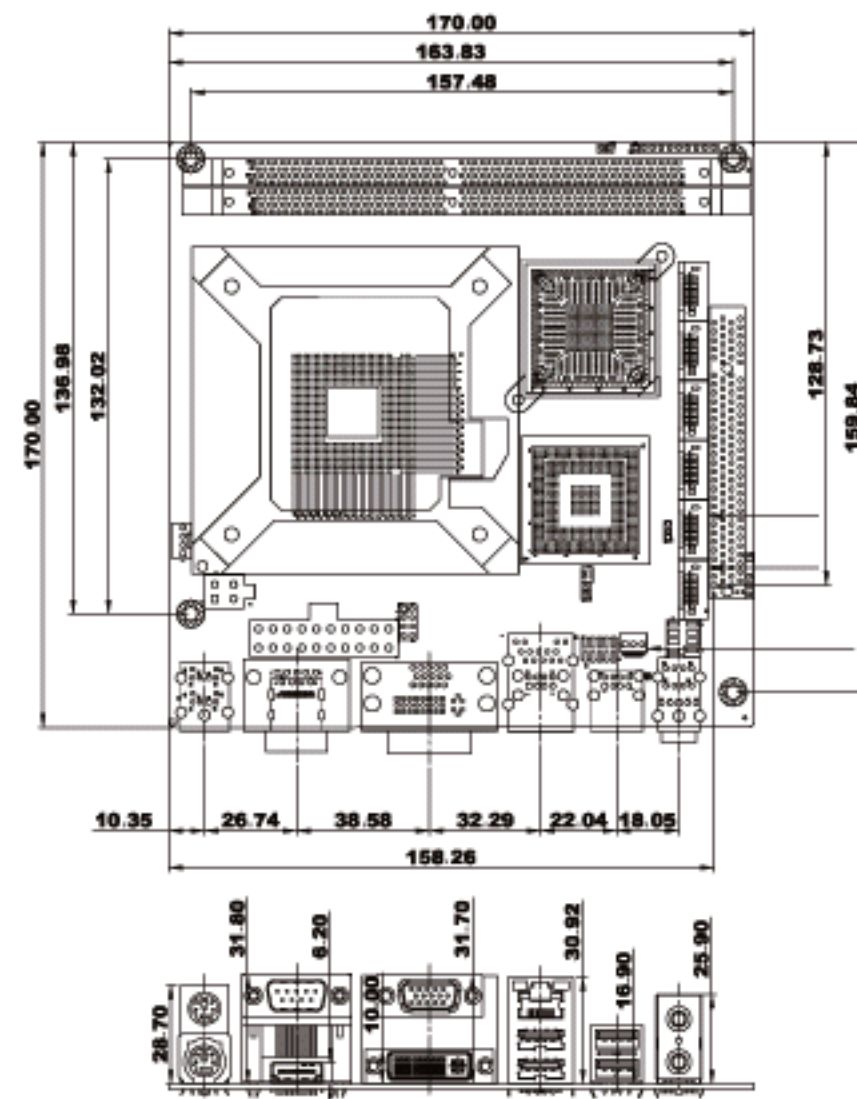
Packing List

- 1 x KINO-G45A single board computer
- 6 x SATA cable (P/N: 32000-062800-RS)
- 1 x Dual USB cable (PN:CB-USB02-RS)
- 1 x I/O shielding (P/N: 45014-0028C0-00-RS)
- 1 x Mini jumper pack
- 1 x Utility CD
- 1 x QIG (Quick Installation Guide)

Features

1. Socket LGA775 for Intel® 45nm Core™ 2 Duo/Quad CPU with FSB 1333MHz
2. Intel® GMA X4500HD for DX10 and OpenGL 2.0 support, high performance MPEG-2 decoding, WMV9 (VC-1) and H.264 (AVC) support
3. Display output support by VGA, HDMI, DVI
4. HDMI supporting all HD formats including 720p, 1080i, and 1080p.

Dimensions (mm)



Ordering Information

Part No.	Description
KINO-G45A-R10	Mini-ITX SBC with Socket LGA775 for Intel® 45nm Core™ 2 Duo/Quad CPU with FSB 1333MHz, VGA/DVI/HDMI, PCIe GbE, USB2.0, SATAII and Audio
32100-088600-RS	SATA Power cable
CF-520-RS-R11	CPU cooler (115mm x 115mm x 67mm, 115W)
CF-775A-RS	CPU cooler (92mm x 92mm x 73mm, 130W)
SAIDE-KIT01-R10	SATA to IDE/CF converter board