

epic NANO-7240-RS-R20

EPIC On-board ULV Intel® Celeron® 400MHz CPU with LCD/CRT VGA, LAN, Audio and RoHS compliant

1 Application Server Platform

2 Single Board Computer

3 IBX Series POS PC

4 AFOLLUX POS Panel PC

5 Video Capture Card

6 KAMIO RISC

7 IOVU Open HMI

8 VITO Universal Controller

9 DINO BLADE

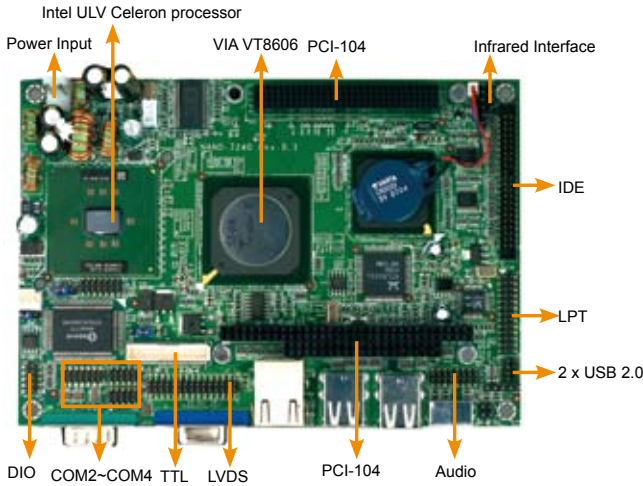
10 LCD Product Series

11 Embedded System

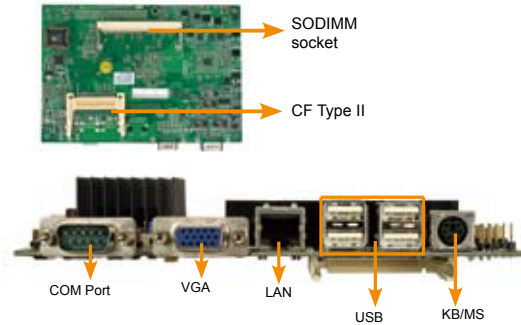
12 Industrial Computer Chassis

13 Power Supply

14 Peripherals



Solder Side



12V Only

Fanless



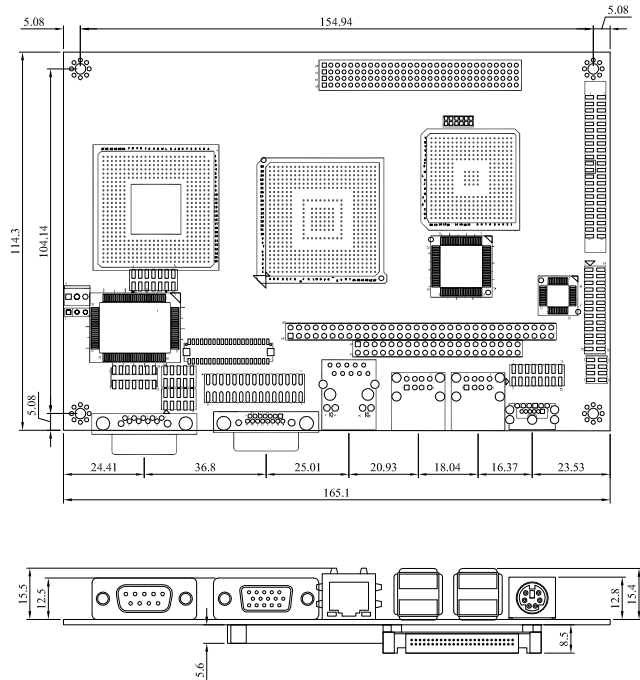
Specifications

- ◆ CPU
On board Intel® ULV Celeron® 400MHz processor
- ◆ System Chipsets
VIA® VT8606 + VT82C686B
- ◆ BIOS
AMI BIOS
- ◆ System Memory
One 144-pin PC133/100 SDRAM SO-DIMM supported (system max. 512MB)
- ◆ Ethernet
10/100Mbps Realtek RTL 8101L chipset
- ◆ I/O Interface
1 x IDE
1 x LPT
1 x PS2 for KB/MS
3 x RS-232
1 x RS-232/422/485
4 x USB 1.1
1 x Infrared Interface
1 x CF Type II
- ◆ Expansions
PC/104-Plus
- ◆ Audio
Realtek ALC655 with AC'97 codec
- ◆ Digital I/O
8-bit digital I/O, 4-bit input/ 4-bit output
- ◆ Display
VIA® VT8606 on chip ProSavage TM VGA controller
18-bit dual-channel LVDS
24-bit TTL LCD interface
- ◆ Watchdog Timer
Software programmable supports 1-255 sec. system reset
- ◆ Power Supply
12V only, AT/ATX support
- ◆ Power Consumption
12V@1.2A
(ULV Intel® Celeron® 400MHz CPU with PC133, 256MB RAM)
- ◆ Temperature
Operating: 0°C ~ 60°C (32 ~ 140° F)
- ◆ Humidity
Operating: 5% ~ 95%, non-condensing
- ◆ Dimensions
115 mm x 165 mm
- ◆ Weight
GW: 1100 g; NW: 350 g

Features

1. Embedded ULV Intel® Celeron® 400MHz CPU for fanless system support
2. VGA integrated in VT8606, support 18-bit dual-channel LVDS/ 24-bit TTL
3. One PC133 SDRAM SO-DIMM supports up to 512MB
4. Support PC/104-Plus Expansions slot
5. CF Type II, LAN, USB, Multi-COM and Audio integrated

Dimensions (mm)



Packing List

1 x NANO-7240 Single Board Computer
1 x IDE Flat Cable (P/N: 32200-008800-RS)
1 x Audio Cable (P/N: 32000-000147-RS)
3 x RS-232 Port Cable (P/N: 32200-029600-RS)
1 x LPT Cable (P/N: 32200-015100-RS)
1 x AT Power Cable (P/N: 32100-050200-RS)
1 x KB/MS Y Cable (P/N: 32000-000138-RS)
1 x Mini Jumper Pack
1 x Utility CD
1 x QIG (Quick Installation Guide)

Ordering Information

Part No.	Description
NANO-7240-RS-400-R20	EPIC Onboard ULV Intel® Celeron® 400MHz CPU Based with VGA/LVDS, LAN and Audio
NANO-7240-RS-CENET050	NANO-7240-RS with Window® CE 5.0 Image, 32MB Flash Disk and 128MB SDRAM
32100-052100-RS	ATX Power Cable
NANO-7240-RS-WINXP	NANO-7240-RS with Window® XP Embedded, 1GB Flash Disk and 128MB SDRAM