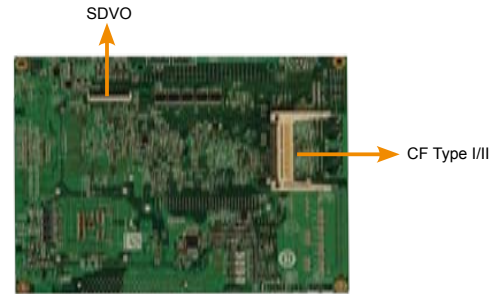
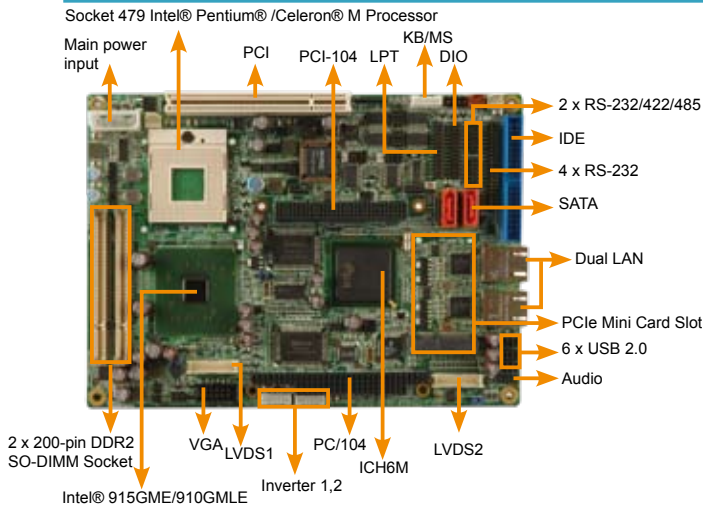


# NOVA-9152/9102

5.25" SBC, Intel® Pentium® M / Celeron® M CPU with  
VGA/ LVDSx2, Dual PCIe GbE, USB 2.0, SATA and Audio



Dual Display Dual LCD panels supported

FSB 533

DDR2 533

USB

SERIAL ATA

Gigabit Ethernet PCIe

## Specifications

- ◆ CPU  
Socket 479 Intel® Pentium® M, Celeron® M processor with a 533/400 MHz FSB  
On board Intel® Celeron® M 1GHz zero cache or 1GHz 512KB cache processor
- ◆ System Chipsets  
Intel® 915GME + ICH6-M  
Intel® 910GML E + ICH6-M
- ◆ BIOS: AMI Flash BIOS
- ◆ System Memory  
Two 200-pin 533/400MHz DDR2 SDRAM SO-DIMM supported (NOVA-9152 system max. 2GB)  
Two 200-pin 400MHz DDR2 SDRAM SO-DIMM supported (NOVA-9102 system max. 2GB)
- ◆ Ethernet  
Dual Broadcom BCM5787M PCI-Express GbE controller
- ◆ I/O Interface  
4 x RS-232  
2 x RS-232/422/485  
6 x USB 2.0  
2 x SATA  
1 x IDE  
1 x 6 pin header for KB/MS
- ◆ Expansion  
1 x PCI  
1 x PCIe Mini Card slot  
1 x PC/104+
- ◆ Digital I/O  
24-bit digital I/O, 12-bit input/ 12-bit output
- ◆ Infrared Interface  
by pin header
- ◆ Super I/O  
Winbond W83627EHG
- ◆ Display Interface  
VGA Integrated in Intel® 915GME/910GML E  
1st: Dual-channel 18/24-bit LVDS by Intel® 915GME/910GML E (NOVA-9152/9102 series)  
2nd: Dual-channel 18/24-bit LVDS by Chronitel CH7308 via SDVO bus (NOVA-9152LVDS2 only)
- ◆ Audio  
Realtek ALC655 with AC'97 Codec
- ◆ SSD  
CF type I/II
- ◆ Watchdog Timer  
Software programmable supports 1 ~255 sec. system reset
- ◆ Power Supply  
AT/ATX Power
- ◆ Power consumption  
12V@1.43A, 5V@ 5.05A(Intel® Pentium® M 2.0GHz CPU with 1GB DDR2 400 MHz)
- ◆ Temperature  
Operating: 0°C ~ 60°C ( 32°F ~ 140°F)
- ◆ Humidity  
Operating: 5% ~95 non-condensing
- ◆ Dimension: 203 mm x 146 mm
- ◆ Weight: GW: 1100 g / NW: 400 g

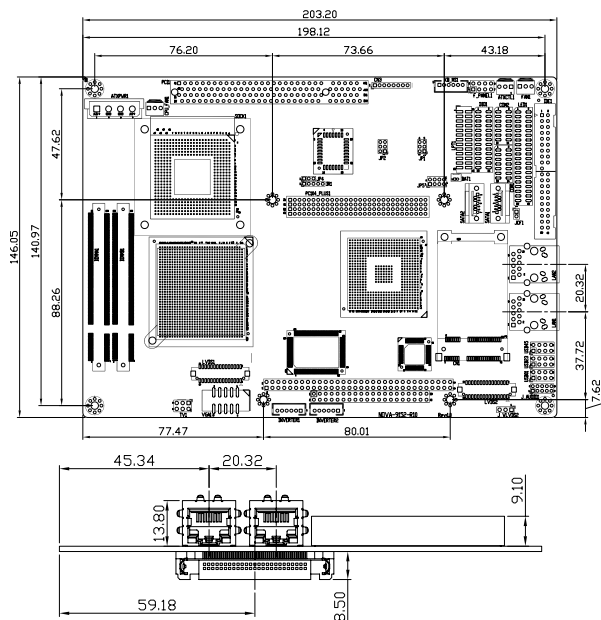
## Packing List

- 1 x NOVA-9152/NOVA-9102 Single Board Computer
- 1 x Mini Jumper Pack
- 1 x ATA66 Flat cable (P/N: 32200-000052-RS)
- 2 x SATA Cable (P/N: 32000-0628000-RS)
- 1 x SATA Power Cable (P/N: 32100-088600-RS)
- 1 x VGA Cable (P/N: 32000-033800-RS)
- 1 x KB/MS Y cable (P/N: 32000-023800-RS)
- 1 x 4 ports RS-232 Adapter cable (P/N: 32100-147900-RS)
- 1 x USB Cable (P/N: 32000-044300-RS)
- 1 x Audio cable (P/N: 32000-072100-RS)
- 1 x Utility CD
- 1 x QIG

## Features

1. Intel® Pentium® M / Celeron® M with 533/400 MHz FSB
2. Dual-channel DDR2 533/400 MHz up to 2GB
3. Support VGA, Dual-channels 18-bit/ 24-bit LVDS with dual display support
4. 4 x RS-232, 6 x USB 2.0, 2 x RS-232/422/485 and 2 x SATA
5. Supports 24-bit digital I/O

## Dimensions (mm)



## Ordering Information

Part No.	Description
NOVA-9152-R10	5.25" SBC, Intel Pentium M/ Celeron M CPU with VGA/ LVDS, Dual PCIe GbE, USB 2.0, SATA and Audio
NOVA-9152LVDS2-R10	5.25" SBC, Intel Pentium M/ Celeron M CPU with VGA/ LVDSx2, Dual PCIe GbE, USB 2.0, SATA and Audio
NOVA-9102-1GZ-R10	5.25" SBC with Intel Celeron M 1GHz zero cache CPU with VGA/ LVDS, Dual PCIe GbE, USB 2.0, SATA and Audio
NOVA-9102-1G512-R10	5.25" SBC with Intel Celeron M 1GHz 512KB cache CPU with VGA/ LVDS, Dual PCIe GbE, USB 2.0, SATA and Audio
IO-KIT-4COM-R10	4 COM Ports Adapter Board
CF-479B-RS	CPU cooler
32200-015100-RS	LPT cable
32100-052100-RS	ATX Power Cable
32200-026500-RS	RS-232/422/485 cable