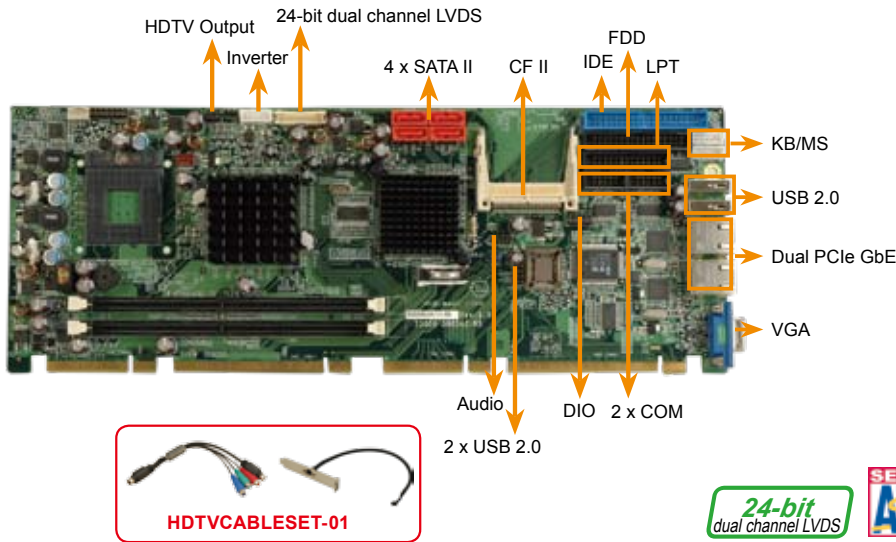


# PCIE-9452-R12

Full-size PICMG 1.3 CPU card supports Socket M Intel® Core™2 Duo processors and comes with VGA, dual PCIe GbE, SATA II and USB 2.0



## Intel® Matrix Storage Manager

Dual DDR2  
667

FSB 667

Socket M

24-bit  
dual channel LVDS



## Specifications

- ◆ CPU  
Socket M Intel® Core™2 Duo, Core™ Duo, Core™ Solo and Celeron® M Mobile processors with a 533 MHz or 667 MHz FSB
- ◆ System Chipset  
Intel® 945GME + ICH7R
- ◆ BIOS  
AMI Flash BIOS
- ◆ System Memory  
Two 240-pin 2 GB (max.) 667 MHz, 533 MHz or 400 MHz dual-channel DDR2 SDRAM DIMM supported (system max. 4 GB)
- ◆ Ethernet  
Dual Broadcom BCM5787M PCIe GbE controllers
- ◆ I/O Interface  
2 x RS-232  
1 x LPT  
8 x USB 2.0  
(Two on the bracket, two on-board and four on the backplane)  
4 x SATA II with Intel RAID 0, 1, 5 and 10  
1 x IDE  
1 x FDD  
1 x Keyboard  
1 x Mouse
- ◆ Digital I/O  
8-bit digital I/O, 4-bit input/ 4-bit output
- ◆ Infrared connector  
1 x Infrared by pin header
- ◆ Super I/O  
ITE IT8712F
- ◆ Display Interface  
VGA and 18/24-bit dual channel LVDS integrated in Intel® 945GME  
Support HDTV resolution up to 1080i by component interface
- ◆ Audio  
5.1 channel AC'97 audio kit with Realtek ALC655 codec  
7.1 channel HD audio kit with Realtek ALC883 support dual audio streams
- ◆ SSD  
CF Type II
- ◆ Watchdog Timer  
Software programmable supports 1 ~255 sec. System reset
- ◆ Power Supply  
ATX Power
- ◆ Power consumption  
5 V @ 4.14 A, 12 V @ 2.9 A, 3.3 V @ 0.72A running a 2.06 GHz Intel® Core™2 Duo T7200 processor with a 667 MHz FSB and 1 GB of 667 MHz DDR2 SDRAM
- ◆ Temperature  
operation: 0°C ~ 60°C ( 32 ~ 140°F)
- ◆ Humidity  
operation: 5% ~95% non-condensing
- ◆ Dimensions  
338 mm x 126 mm
- ◆ Weight  
GW: 1100 g / NW: 380 g

## Features

1. PICMG1.3 and RoHS compliant
2. Supports Socket M Intel® Core™2 Duo processors with a 667 MHz FSB
3. Two 240-pin 2 GB (max.) 667 MHz, 533 MHz or 400 MHz dual-channel DDR2 SDRAM DIMM supported (system max. 4 GB)
4. Two high-performance PCIe GbE controllers
5. Four 3.0 Gbps SATA II with Intel® Matrix Storage Manager supp

## Packing List

1 x PCIE-9452 single board computer
1 x Mini Jumper pack
1 x ATA 66/100 flat cable (P/N: 32200-000052-RS)
4 x SATA cable (P/N: 32000-0628000-RS)
2 x SATA Power cable (P/N: 32100-088600-RS)
1 x Dual RS-232 cable (P/N: 19800-000051-RS)
1 x USB cable (P/N: CB-USB02-RS)
1 x Utility CD
1 x QIG

## Ordering Information

Part No.	Description
PCIE-9452-R12	PICMG 1.3 Socket M Intel® Core™2 Duo CPU Card with VGA, dual PCIe GbE, SATA II and USB 2.0
AC-KIT883HD-R10	7.1 Channel HD audio kit with Realtek ALC883 support dual audio streams
AC-KIT08R-R10	5.1 Channel AC'97 audio kit with Realtek ALC655
CF-479B-RS	CPU cooler
19800-000049-RS	LPT cable
32200-000017-RS	FDD cable
19800-000066-RS	KB/MS cable with bracket
HDTVCABLESET-01	HDTV Cable Set with S-Video/ Composite/ Component Interface

1  
Application  
Server  
Platform

2  
Single  
Board  
Computer

3  
IBX Series  
POS PC

4  
AFOLUX  
POS  
Panel PC

5  
Video  
Capture  
Card

6  
KAMIO  
RISC

7  
IOVU  
Open HMI

8  
VITO  
Universal  
Controller

9  
DINO  
BLADE

10  
LCD  
Product  
Series

11  
Embedded  
System

12  
Industrial  
Computer  
Chassis

13  
Power  
Supply

14  
Peripherals