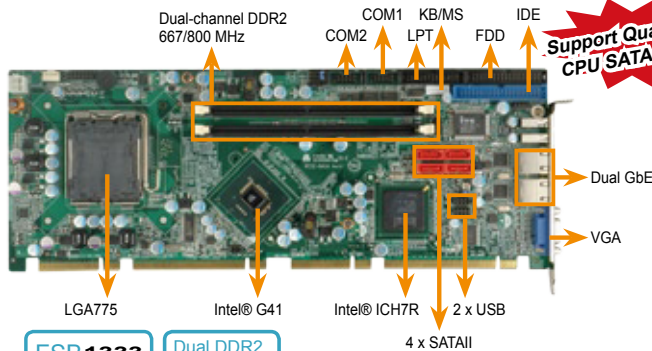


PCIE-G41A

Full-size PICMG 1.3 CPU card supports LGA775 Intel® Core™2 Quad processor with VGA, Dual PCIe GbE, SATA 3Gb/s, COM and USB 2.0, RoHS



Support Quad Core CPU SATA RAID



FSB 1333 Dual DDR2 800

Intel® Matrix Storage Manager

USB

Gigabit Ethernet

SERIAL ATA

One Key Recovery

Features

- PICMG 1.3 form factor
- LGA775 Intel® Core™2 Extreme/Quad/Duo and Celeron processor supports up to 1333MHz FSB
- Dual-channel DDR2 800/667 MHz supports up to 8GB
- High performance PCI-Express Gigabit Ethernet controller
- Four SATA 3Gb/s ports with Intel® Matrix Storage Manager support
- IEI One Key Recovery solution allows you to create rapid OS backup and recovery

Specifications

- CPU**
LGA 775 Intel® Core™ 2 Extreme/Quad/Duo, Celeron with a 1333/1066/800MHz FSB support
- System Chipset**
Intel® G41 + ICH7R
- BIOS**
AMI Flash BIOS
- System Memory**
Two 240-pin 4GB (max.) 800/667 MHz dual-channel DDR2 DIMM (system max. 8GB)
- Ethernet**
Dual PCIe Realtek RTL8111CP GbE controllers
- I/O Interface**
1 x FDD 2 x RS-232
1 x IDE 1 x LPT
4 x SATA 3Gb/s with Intel® RAID 0, 1, 5 and 10
1 x KB/MS by 6-pin header
8 x USB 2.0
(2 on bracket, 2 on board by pin-header, 4 to backplane via Golden Finger)
- Digital I/O**
8-bit digital I/O, 4 input/ 4 output
- Infrared Interface**
1 x infrared by 5-pin header
- Super I/O**
ITE IT8718F
- Graphic**
Intel® Graphics Media Accelerator X4500 (Intel® GMA X4500)
- Display Interface**
Analog CRT supports up to 2048 x 1536 resolution
- Audio**
5.1 channel audio kit with Realtek ALC655 AC'97 codec
7.1 channel HD audio kit with Realtek ALC883 codec supports dual audio streams
- Watchdog Timer**
Software programmable supports 1 ~255 sec. System reset
- Power Supply**
ATX Power
- Power consumption**
3.3V@0.3A, 5V@6.71A, 12V@0.27A, Vcore_12V@1.91A (Intel® Core™2 Duo E8500 3.16GHz 1333MHz FSB CPU two 2GB 800MHz DDR2)
- Temperature operation:** 0°C~ 60°C (32°F~ 140°F)
- Humidity operation:** 5% ~95 non-condensing
- Dimensions**
338 mm x 126 mm
- Weight**
GW: 1.1kg

Packing List

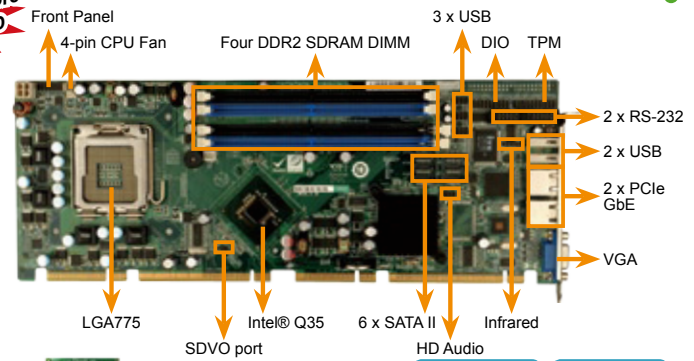
1 x PCIE-G41A single board computer	
4 x SATA cable (P/N: 32000-062800-RS)	1 x Mini jumper pack
1 x Dual RS-232 cable (P/N: 19800-000051-RS)	1 x USB cable (P/N: CB-USB02-RS)
1 x Utility CD	1 x QIG

Ordering Information

Part No.	Description
PCIE-G41A-R10	Full-size PICMG 1.3 CPU card supports LGA775 Intel® Core™ 2 Quad processor with VGA, Dual PCIe GbE, SATA 3Gb/s, COM and USB 2.0, RoHS
AC-KIT-883HD-R10	7.1 channel HD Audio Kit with Realtek ALC883 support dual audio streams
AC-KIT08R-R10	5.1 channel AC'97 audio kit with Realtek ALC655
19800-000075-RS	PS/2 KB/MS cable with bracket
CF-520-RS-R11	CPU cooler
CF-775A-RS	CPU cooler
32102-000100-100-RS	SATA power cable
32102-000100-200-RS	SATA power cable
32200-000017-RS	FDD cable
19800-000400-100-RS	LPT cable with Bracket
32200-000052-RS	ATA66 IDE flat cable

PCIE-Q350-R11

Full-size PICMG 1.3 CPU card supports 45 nm LGA 775 Intel® Core™2 Duo and Core™2 Quad processors with an 800 MHz, 1066 MHz or 1333 MHz FSB and comes with an Intel® Q35 GMCH, ICH9DO I/O controller hub, dual Intel® GbE, SATA II with RAID and USB 2.0



FSB 1333 Dual DDR2 800

TPM 1.2 Support

SERIAL ATA

USB

Gigabit Ethernet

Intel® Matrix Storage Manager

One Key Recovery

Features

- PICMG1.3 and RoHS compliant
- Intel® Q35 & ICH9-DO Platform
- Supports 45nm LGA775 Intel® Core™2 Duo and Core™2 Quad processors
- Six SATAII Ports with Intel Matrix storage technology supported
- Dual Intel® PCIe GbE
- TPM1.2 IT security solution supported
- IEI One Key Recovery solution allows you to create rapid OS backup and recovery

Specifications

- CPU**
LGA 775 Intel® Core™2 Quad, Core™2 Duo, Celeron® processors with a, 800 MHz, 1066MHz, and 1333MHz FSB
- System Chipset**
Intel® Q35 + ICH9-DO
- BIOS**
AMI BIOS Label with 8Mb SPI EEPROM
- System Memory**
Four 240-pin 2 GB (max.) 800 MHz, 667 MHz dual-channel DDR2 SDRAM DIMM supported (system max. 8GB)
- Ethernet**
Dual GbE
LAN1: Intel® 82566DM GbE controller with iAMT support
LAN2: Intel® 82573L GbE controller
- IO Interface**
2 x RS-232 6 x SATA II (RAID 0, 1, 5, 10)
1 x Keyboard and mouse connector
12 x USB 2.0 (2 on bracket, six on SBC, four on backplane by pin header)
- Super IO**
ITE 8718F
- Digital I/O**
16-bit Digital I/O, 8-bit input / 8-bit output
- Infrared interface**
1 x Infrared by pin header
- Audio**
10-pin on-board header connects to the IEI AC-KIT883HD 7.1 channel HD Audio kit
- Graphics**
Analog VGA output
- TPM1.2**
1 x 20-pin on-board header for TPM (Trusted Platform Module)
- Watchdog Timer**
Software Programmable supports 1~255sec. system reset
- Power Supply**
ATX
- Power Consumption**
3.3V@3.0A, 5V@5.1A, 5Vsb@0.28A, 12@4.23A (Intel® Core™ 2 Duo E6700 2.66 GHz at FSB 1066, 8 GB DDR2 667 MHz, 3DMark 2001)
- Temperature Operation:** 0°C ~ 60°C (32°F ~ 140°F)
- Humidity Operation:** 5% ~95% non-condensing
- Dimensions:** 338 mm x 126 mm
- Weight:** GW:1.1 kg

Packing List

1 x PCIE-Q350 single board computer	
3 x SATA power cable (P/N: 32102-000100-100/200-RS)	
6 x SATA cable (P/N: 32000-062800-RS)	1 x Mini jumper pack
1 x Dual RS-232 cable (P/N:19800-000051-RS)	1 x USB cable (P/N: CB-USB02-RS)
1 x Utility CD	1 x QIG

Ordering Information

Part No.	Description
PCIE-Q350-R11	PICMG1.3 CPU card supports Intel® 45nm LGA 775 Core™2 Duo/Quad CPU at FSB800/1066/1333 MHz, Intel® Q35 & ICH9DO platform, Dual Intel® GbE, SATA II with RAID, USB
AC-KIT883HD-R10	7.1 channel HD audio kit with Realtek ALC883 supports dual audio streams
CF-520-RS-R11	High performance CPU cooler (115mm x 115mm x 67mm, 115W)
CF-775A-RS	High performance CPU cooler (92 mm x 92 mm x 73 mm, 130W)
TPM-IN01-R10	Infineon 20-pin trusted platform module with S/W management tool
TPM-WI01-R10	Winbond 20-pin trusted platform module with S/W management tool
SDVO-100VGA-R10	PCIe x16 VGA output SDVO card supports dual display (IEI CPU board only)
SDVO-100DVI-R10	PCIe x16 DVI output SDVO card supports dual display (IEI CPU board only)
19800-000075-RS	KB/MS cable with bracket