

PM-1057SAC

PCI-104, 2 x Serial ATA,
RAID 0,1 Support & Compact
Flash Slot



Specifications

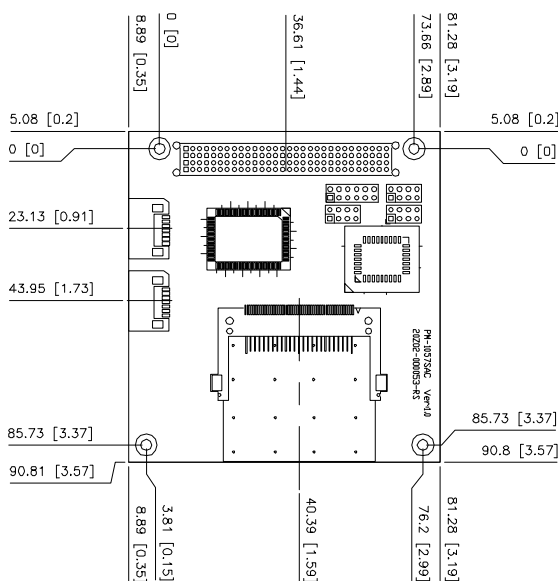
1. PCI-104 form factor with RoHS compliant
2. 2 x Serial SATA with RAID 0,1 function support
3. One Compact Flash slot with Master/Slave selection

P/N: 32000-062800-RS

Lockable SATA Cable



Dimensions (mm)



Packing List

- 1 x PM-1057SAC
- 2 x SATA Cable (P/N: 32000-062800-RS)
- 1 x SATA Power Cable (32100-088600-RS)
- 1 x Mini jumper pack
- 1 x Utility CD / QIG

Ordering Information

Part No.	Description
PM-1057SAC-R10	2 x SATA and 1 x Compact Flash PCI-104 Module

PM-1054L/R

PCI-104 Card Bus
PCMCIA module

PCI Interface



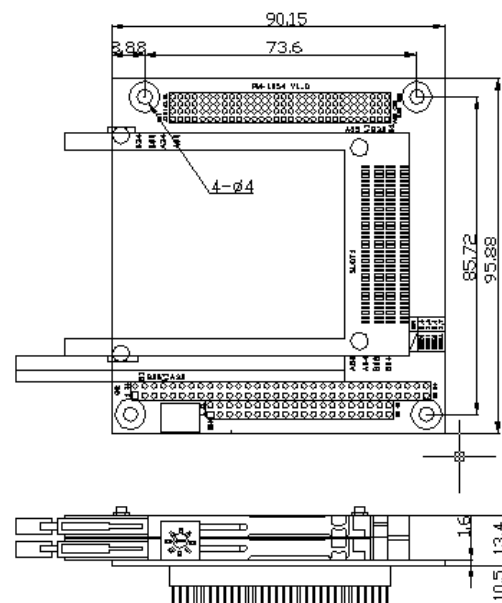
PM-1054L

PM-1054R

Specifications

- ◆ Chipset: RICOH R5C485 Card Bus controller
- ◆ Data Bus: 32-Bit, 33MHz (133MB/s), DMA bus master (Compliant with PCI 2.1)
- ◆ PC Card 95/97/98 32-bit CardBus compatible
- ◆ Supports Plug & Play auto-detected & configuration
- ◆ Driver support: Windows® 98/ME/NT/2000/XP
- ◆ Accepts PCMCIA Type I/II/III
- ◆ 1 x PCMCIA slot

Dimensions (mm)



Packing List

- 1 x PM-1054
- 1 x QIG

Ordering Information

Part No.	Description
PM-1054L	PCI-104 Card Bus PCMCIA module (Left side)
PM-1054R	PCI-104 card bus PCMCIA module (Right side)