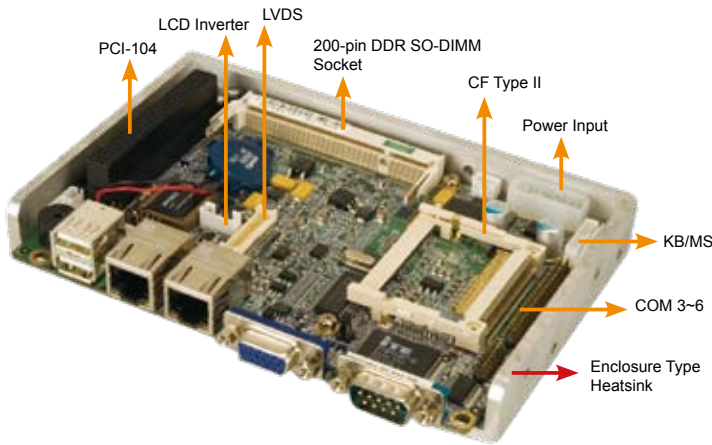


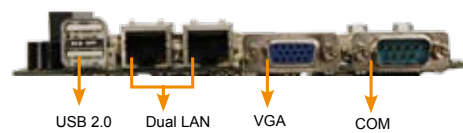
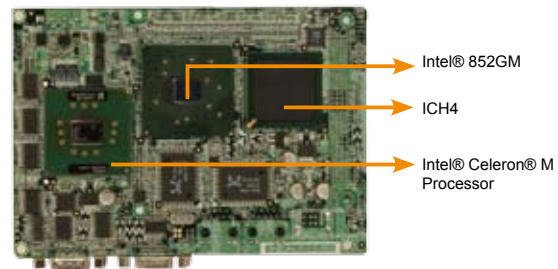
WAFER-8522

3.5" SBC with ULV Intel® Celeron® M CPU with VGA/LVDS, Dual GbE, USB 2.0 and Audio

- 1 Application Server Platform
- 2 Single Board Computer
- 3 IBX Series POS PC
- 4 AFOLLUX POS Panel PC
- 5 Video Capture Card
- 6 KAMIO RISC
- 7 IOVU Open HMI
- 8 VITO Universal Controller
- 9 DINO BLADE
- 10 LCD Product Series
- 11 Embedded System
- 12 Industrial Computer Chassis
- 13 Power Supply
- 14 Peripherals



Solder Side



Specifications

- ◆ CPU
On board Intel® Celeron® M 1GHz/600MHz 512KB or 1GHz zero cache processor
- ◆ System Chipsets
Intel® 852GM + ICH4
- ◆ BIOS
AMI BIOS
- ◆ System Memory
One 200-pin 266/200MHz DDR SDRAM SO-DIMM supported (system max. 1GB)
- ◆ Ethernet
Dual Realtek RTL8110SC GbE chipsets
- ◆ I/O Interface
5 x RS-232
1 x RS-232/422/485
4 x USB 2.0
1 x IDE
1 x PS/2 for KB/MS
- ◆ Expansions
PCI-104 (PCI Bus)
- ◆ Super I/O
ITE IT8712F
- ◆ Display Interface
VGA integrated in Intel® 852GM
18-bit dual-channel LVDS
- ◆ Audio
Realtek ALC655 with AC'97 codec
- ◆ SSD
CF Type II
- ◆ Watchdog Timer
Software programmable supports 1 ~255 sec. system reset
- ◆ Power Supply
AT/ATX support
- ◆ Power Consumption
5V@3.43A, 12V@0.13A
(Celeron® M 1GHz CPU with 1GB 266 MHz DDR)
- ◆ Temperature
Operating: 0°C ~ 60°C (32°F ~ 140°F)
- ◆ Humidity
Operating: 5% ~95% non-condensing
- ◆ Dimensions
146 mm x 102 mm
- ◆ Weight
GW: 700g / NW: 175g

Features

1. 3.5" form factor with ULV Intel® Celeron® M CPU
2. CPU and chipset on the solder side easy for system thermal solution
3. DDR266MHz SO-DIMM up to 1GB
4. VGA, 18-bit dual-channel LVDS
5. CF Type II, USB 2.0, 6 x RS-232 and Audio

Packing List

1 x WAFER-8522 Single Board Computer
1 x IDE Flat Cable 44p/44p (P/N: 32200-000009-RS)
1 x 4 RS-232 Adapter Cable (P/N: 32200-025401-RS)
1 x PS/2 Keyboard/Mouse Cable (P/N: 32000-043301-RS)
1 x Audio Cable (P/N: 32000-072100-RS)
1 x Enclosure Heatsink
1 x Mini Jumper Pack
1 x Utility CD
1 x QIG (Quick Installation Guide)

Ordering Information

Part No.	Description
WAFER-8522-1GZ-R10	3.5" SBC with ULV Intel® Celeron® 1GHz Zero Cache CPU with VGA/LVDS, Dual GbE, USB 2.0, and Audio
WAFER-8522-600-R10	3.5" SBC with ULV Intel® Celeron® 600MHz 512KB Cache CPU with VGA/LVDS, Dual GbE, USB 2.0, and Audio
WAFER-8522-1G512-R10	3.5" SBC with ULV Intel® Celeron® 1GHz 512KB Cache CPU with VGA/LVDS, Dual GbE, USB 2.0, and Audio
32200-000077-RS	RS-232/422/485 Cable
32000-070300-RS	USB Cable
IO-KIT-4COM-R10	4 COM Ports Adapter Board

Enclosure Heatsink

Old Way

OLD STYLE

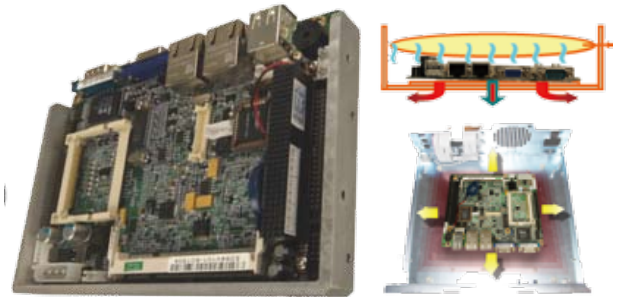
Heat from CPU board is circling in the system. Accumulation heat occurs the unstable system !!!

Most of heat will be spread out by whole system surface !!!

New Way

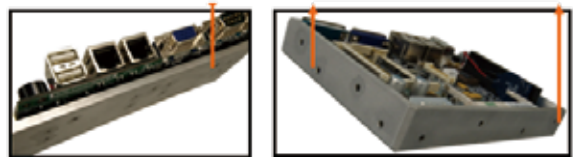
UPGRADE NOW!

iEi Technology Corp.



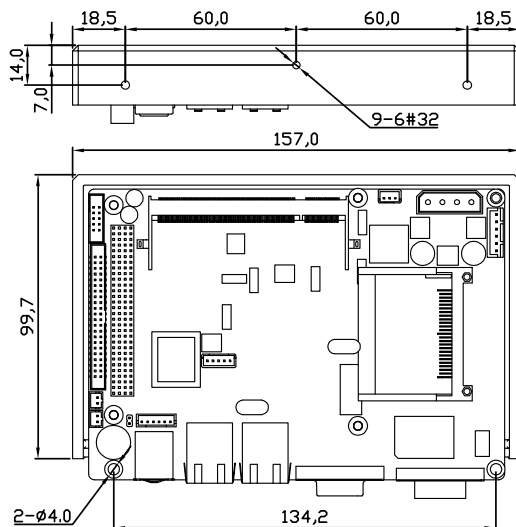
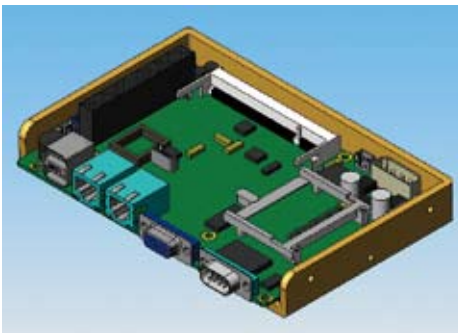
IEI Enclosure Type Heatsink design, the heatsink housing is included in the standard packing list.

Flexibility screw mounting holes for all directional thermal solutions.



Dimensions (mm)

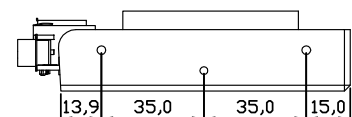
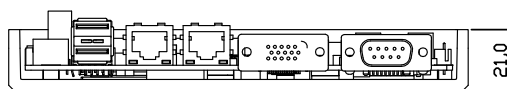
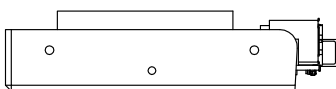
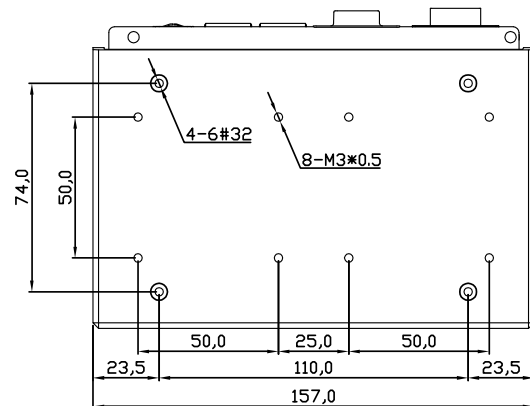
Enclosure Heatsink Included



Complete I/O

Six COM Ports

Four USB 2.0



- 1 Application Server Platform
- 2 Single Board Computer
- 3 IBX Series POS PC
- 4 AFOLUX POS Panel PC
- 5 Video Capture Card
- 6 KAMIO RISC
- 7 IOVU Open HMI
- 8 VITO Universal Controller
- 9 DINO BLADE
- 10 LCD Product Series
- 11 Embedded System
- 12 Industrial Computer Chassis
- 13 Power Supply
- 14 Peripherals